

98103699

List of Exhibits:

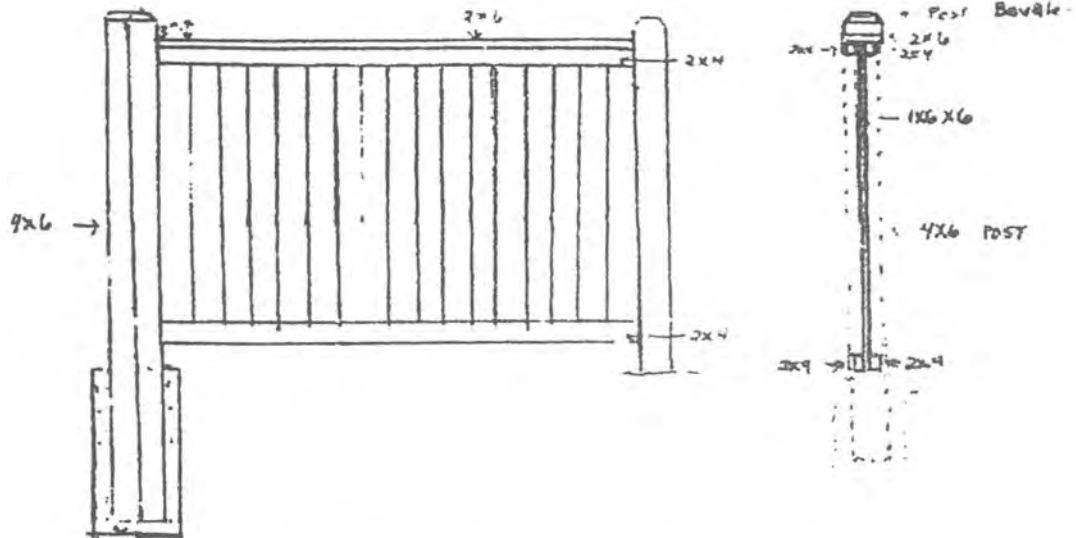
- Exhibit A: Real property description
- Exhibit B: Design specifications for fencing
- Exhibit C: Design specifications for address signage
- Exhibit D: Building envelopes for certain hillside lots
- Exhibit E: Plant Species Associated with Riparian Areas

EXHIBIT A

AMBLESIDE SUBDIVISION, as recorded on File 75, Slides 750-755, Lane County
Oregon Official Plat Records.

98103699

EXHIBIT "B"



POSTS: 6" X 6" X 10 FT. LENGTHS PRESSURE TREATED
PLACED IN HOLE OF 1 1/2" WIDE - 2 1/2 FT. IN DEPTH

CEMENT FILL UP HOLE BEAVED AT TOP FOR RAIN RUN OFF

TOP CAP: 2 X 6 X 8 STANDARD & BETTER BEWAVED SIDES 1/2"

RAILS: 2X4X8 STANDARD & BETTER - TWO FRONT ON TOP & BOTTOM
TWO ON BACK TOP & BOTTOM

BOARDS: 1" X 6" X 6 FT. #1 CEDAR GRADE

POST TO HAVE DESIGN ON TOP OF POST. Bevel



98103699

EXHIBIT "C"

15 1/4 "



9 1/4 "



